

Attacchi Eclipse / Eclipse Brackets

Attacchi Eclipse a basso profilo per un maggior comfort ed una minore interferenza con i tessuti molli; identificazione permanente disto-gengivale ed alette progettate per una facile locazione delle legature. Il design dell'attacco, permette un'ottima cementazione adattandosi perfettamente alla morfologia del dente.

Low profile brackets for patient comfort and for minimal occlusion contact. Permanent mark on the distogingival; sweeping tie wing for easy and secure ties. Anatomically contoured to ensure the utmost in bond adhesion.

Roth			.018		.022	
UPPER	TORQUE	ANGULATION	RIGHT	LEFT	RIGHT	LEFT
U1	12°	5°	RB212-11	RB212-21	RB222-11	RB222-21
U2	8°	9°	RB212-12	RB212-22	RB222-12	RB222-22
U3 w/hook	-2°	13°	RB212-13HK	RB212-23HK	RB222-13HK	RB222-23HK
U4,5	-7°	0°	RB212-14		RB222-14	
U4,5 w/hook	-7°	0°	RB212-14HK	RB212-24HK	RB222-14HK	RB222-24HK
LOWER						
L1/L2	-1°	2°	RB212-31		RB222-31	
L3 w/hook	-11°	7°	RB212-43HK	RB212-33HK	RB222-43HK	RB222-33HK
L4	-17°	1°	RB212-44		RB222-44	
L4 w/hook	-17°	1°	RB212-44HK	RB212-34HK	RB222-44HK	RB222-34HK
L5	-17°	1°	RB212-45		RB222-45	
L5 w/hook	-17°	1°	RB212-45HK	RB212-35HK	RB222-45HK	RB222-35HK
10 pcs / pack						

Kit Roth

UPPER / LOWER	.018	.022
U/L 3 w/hook	RB13-212	RB22-23
U/L 3/4/5 w/hook	RB13-213	RB22-24
20 pcs / pack - 1 case		

MBT			.018		.022	
UPPER	TORQUE	ANGULATION	RIGHT	LEFT	RIGHT	LEFT
U1	17°	4°	RB312-11	RB312-21	RB322-11	RB322-21
U2	10°	8°	RB312-12	RB312-22	RB322-12	RB322-22
U3 w/hook	-7°	8°	RB312-13HK	RB312-23HK	RB322-13HK	RB322-23HK
U4,5	-7°	0°	RB312-14		RB322-14	
U4,5 w/hook	-7°	0°	RB312-14HK	RB312-24HK	RB322-14HK	RB322-24HK
LOWER						
L1/L2	-6°	0°	RB312-31		RB322-31	
L3 w/hook	-6°	3°	RB312-43HK	RB312-33HK	RB322-43HK	RB222-33HK
L4	-12°	2°	RB312-44		RB322-44	
L4 w/hook	-12°	2°	RB312-44HK	RB312-34HK	RB322-44HK	RB322-34HK
L5	-17°	2°	RB312-45		RB322-45	
L5 w/hook	-17°	2°	RB312-45HK	RB312-35HK	RB322-45HK	RB322-35HK
10 pcs / pack						

Kit MBT

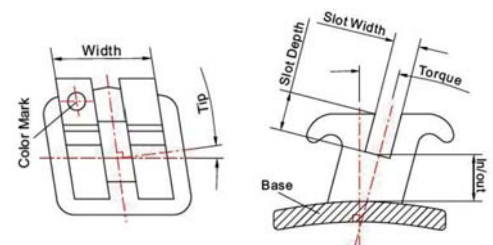
UPPER / LOWER	.018	.022
U/L 3 w/hook	RB13-12	RB32-23
U/L 3/4/5 w/hook	RB13-24	RB32-24
20 pcs / pack - 1 case		

Edgewise

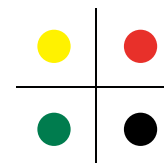
UPPER / LOWER	TORQUE	ANGULATION	.018	.022
U1	0°	0°	RB112-11	RB122-11
U2	0°	0°	RB112-22	RB122-22
U3 / L3	0°	0°	RB112-13	RB122-13
UL3 / LR3 w/hook	0°	0°	RB112-23HK	RB122-23HK
UR3 / LL3 w/hook	0°	0°	RB112-13HK	RB122-13HK
U4/U5 - L4/L5	0°	0°	RB112-14	RB122-14
L1 / L2	0°	0°	RB112-31	RB122-31
1 pc / pack				

Kit Edgewise

UPPER / LOWER	.018	.022
U/L 5 - 5	RB12-11	RB12-20
U/L 3 w/hook	RB12-112	RB12-23
20 pcs / pack - 1 case		



Brackets ID quadrant colored



■ Merce disponibile / Goods available
 ■ Merce a richiesta / Goods on request

Attacchi BioLine / BioLine Brackets

Attacchi BioLine Nickel Free, sono la scelta ideale per tutti i pazienti, anche per quelli sensibili o intolleranti al Nickel. Questo rivoluzionario prodotto è il risultato di una lega unica che ha performance e caratteristiche superiori ai tradizionali attacchi. I BioLine, sono realizzati con tecnologia M.I.M. e mostrano tutte le caratteristiche fondamentali di un attacco di eccezionale qualità.

Nickel Free brackets, ideal for all patients, also for those who experience sensitivity to nickel. Unique alloy brackets, designed with M.I.M. technology for an excellent quality product.

						.018		.022	
UPPER	TORQUE	ANGULATION	OFFSET	IN/OUT	Width (MM)	RIGHT	LEFT	RIGHT	LEFT
U1	12°	5°	0°	1.0	3.5	APRXRUR118 ●	APRXRUL118 ●	APRXRUR122 ●	APRXRUL122 ●
U2	8°	9°	0°	1.0	2.9	APRXRUR218 ●	APRXRUL218 ●	APRXRUR222 ●	APRXRUL222 ●
U3 w/hook	-2°	10°	4°M	.7	3.0	APRXRUR319 ●	APRXRUL319 ●	APRXRUR323 ●	APRXRUL323 ●
U4,5	-7°	0°	2°D	.7	3.0	APRXRU418 ●●		APRXRU422 ●●	
U4,5 w/hook	-7°	0°	0°	.7	3.0	APRXRUR419 ●	APRXRUL419 ●	APRXRUR423 ●	APRXRUL423 ●
LOWER									
L1/L2	0°	0°	0°	1.2	2.5	APXRRL118		APXRRL122	
L3 w/hook	-11°	5°	2°M	.7	3.0	APXRRLR319 ●	APXRLL319 ●	APXRRLR323 ●	APXRLL323 ●
L4	-17°	0°	0°	1.0	3.0	APXRRLR418 ●●		APXRRLR422 ●●	
L4 w/hook	-17°	0°	0°	1.0	3.0	APXRRLR419 ●	APXRLL419 ●	APXRRLR423 ●	APXRLL423 ●
L5	-22°	0°	0°	1.0	3.0	APXRRL518 ●●		APXRRL522 ●●	
L5 w/hook	-22°	0°	0°	1.0	3.0	APXRRLR519 ●	APXRLL519 ●	APXRRLR523 ●	APXRLL523 ●
10 pcs / pack									

Kit Roth

UPPER / LOWER	.018	.022
U/L 3 w/hook	KTAPR1935	KTAPR2335
U/L 3/4/5 w/hook	KTAPR1955	KTAPR2355
20 pcs / pack - 1 case		

Kit Dual Dimension

.018 U/L 1,2	.022 U/L 3,4,5
U/L 3 w/hook	KTAPRDD2335
U/L 3/4/5 w/hook	KTAPRDD2355
20 pcs / pack - 1 case	

Bioform Ricketts

						.018	
UPPER	TORQUE	ANGULATION	OFFSET	IN/OUT	Width (MM)	RIGHT	LEFT
U1	22°	5°	0°	1.0	3.5	APRXBUR118 ●	APRXBUL118 ●
U2	14°	8°	0°	1.0	2.9	APRXBUR218 ●	APRXBUL218 ●
U3 w/hook	7°	7°	0°	.7	3.0	APRXBUR319 ●	APRXBUL319 ●
U4,5	-7°	0°	0°	.7	3.0	APRXBU418 ●●	
U4,5	0°	0°	0°	.7	3.0	APRXBU/L618 ○○	
LOWER							
L1/L2	0°	0°	0°	1.0	2.5	APRXL118	
L3 w/hook	7°	5°	0°	.7	3.0	APRXBLR319 ●	APRXBL319 ●
L4	-11°	0°	0°	1.0	3.0	APRXBL418 ●	
L4 w/hook	-17°	0°	0°	1.0	3.0	APRXBL518 ●●	
L5	0°	0°	0°	.7	3.0	APRXBU/L618 ○○	
10 pcs / pack							

Kit Bioform Ricketts

UPPER / LOWER	.018
U/L 3 w/hook	KTAPB1935
20 pcs / pack - 1 case	

Standard Edgewise

						.018	.022
UPPER	TORQUE	ANGULATION	OFFSET	IN/OUT	Width (MM)		
U1	0°	0°	0°	1.0	2.5	APEDU118	APEDU122
U2	0°	0°	0°	.7	3.5	APEDU218	APEDU222
U3-L3	0°	0°	0°	.7	3.5	APEDUN318	APEDUN322
U4-U5 / L4-L5	0°	0°	0°	1.0	3.5	APEDUN418	APEDUN422
L1-L2	0°	0°	0°	1.0	2.5	APEDLUN118	APEDLUN122
10 pcs / pack							



Kit Standard Edgewise

UPPER / LOWER	.018	.022
U/L 5-5	KTAPED1855	KTAPED2255
20 pcs / pack - 1 case		

■ Merce disponibile / Goods available

■ Merce a richiesta / Goods on request

Attacchi BioLine / BioLine Brackets

MBT					.018		.022	
UPPER	TORQUE	ANGULATION	OFFSET	IN/OUT	RIGHT	LEFT	RIGHT	LEFT
U1	17°	4°	0°	1.0	APMBTUR118 ●	APMBTUL118 ●	APMBTUR122 ●	APMBTUL122 ●
U2	10°	8°	0°	1.0	APMBTUR218 ●	APMBTUL218 ●	APMBTUR222 ●	APMBTUL222 ●
U3 w/hook	-7°	8°	0°	.7	APMBTUR319 ●	APMBTUL319 ●	APMBTUR323 ●	APMBTUL323 ●
U4,5	-7°	0°	0°	.7	APMBTU418 ●●		APMBTU422 ●●	
U4,5 w/hook	-7°	0°	0°	.7	APMBTUR419 ●	APMBTUL419 ●	APMBTUR423 ●	APMBTUL423 ●
LOWER								
L1/L2	-6°	0°	0°	1.0	APMBTL118		APMBTL122	
L3 w/hook	-6°	3°	2°M	.7	APMBTLR319 ●	APMBTLL319 ●	APMBTLR323 ●	APMBTLL323 ●
L4	-12°	2°	0°	1.0	APMBTLR418 ●●		APMBTLR422 ●●	
L4 w/hook	-12°	2°	0°	1.0	APMBTLR419 ●	APMBTLL419 ●	APMBTLR423 ●	APMBTLL423 ●
L5	-17°	2°	0°	1.0	APMBTL518 ●●		APMBTL522 ●●	
L5 w/hook	-17°	2°	0°	1.0	APMBTLR519 ●	APMBTLL519 ●	APMBTLR523 ●	APMBTLL523 ●
10 pcs / pack								

Kit MBT

UPPER / LOWER 5-5	.018	.022
U/L 3 w/hook	KTAPMBT1935	KTAPMBT2335
U/L 3/4/5 w/hook	KTAPMBT1955	KTAPMBT2355
20 pcs / pack - 1 case		

Attacchi Elysium / Elysium Brackets - Low Friction

Attacchi Elysium, dalle forme arrotondate e contenute ed un profilo bassissimo; restituiscono al paziente un elevato comfort. L'innovativo design dell'attacco permette di far scorrere l'arco su una superficie limitata, garantendo un attrito bassissimo tra filo e slot, con una significativa riduzione delle fasi del trattamento.

Elysium brackets are characterized by round and restrained shape and a very low profile intended to offer high comfort to the patient's soft tissues. The innovative design allows small sliding on a limited surface, with very low friction between wire and slot, significantly reducing treatment phases.

Roth

UPPER	TORQUE	ANGULATION	Width (MM)		Pad-Base		Mesh-Base	
					.018	.022	.018	.022
U1	12°	5°	3.5	R ●	16-U1-8R	16-U1-2R	26-U1-8R	26-U1-2R
				L ●	16-U1-8L	16-U1-2L	26-U1-8L	26-U1-2L
U1 (Hi-Torque)	22°	5°	3.5	R ●	17-U1-8R	17-U1-2R	--	--
				L ●	17-U1-8L	17-U1-2L	--	--
U2	8°	9°	3.0	R ○	16-U2-8R	16-U2-2R	26-U2-8R	26-U2-2R
				L ○	16-U2-8L	16-U2-2L	26-U2-8L	26-U2-2L
U2 (Hi-Torque)	14°	9°	3.0	R ○	17-U2-8R	17-U2-2R	--	--
				L ○	17-U2-8L	17-U2-2L	--	--
U3 w/hook	0°	11°	3.3	R ●	16-U3-8RK	16-U3-2RK	26-U3-8RK	26-U3-2RK
				L ●	16-U3-8LK	16-U3-2LK	26-U3-8LK	26-U3-2LK
U4-U5	-7°	0°	3.0	U ●●	16-U4-8U	16-U4-2U	26-U4-8U	26-U4-2U
				R ●	16-U4-8RK	16-U4-2RK	26-U4-8RK	26-U4-2RK
U4-U5 w/hook	-7°	0°	3.0	L ●	16-U4-8LK	16-U4-2LK	26-U4-8LK	26-U4-2LK
LOWER								
L1-L2	0°	0°	2.5	U ●●	16-L1-8U	16-L1-2U	26-L1-8U	26-L1-2U
L3	-11°	5°	3.0	R ●	16-L3-8RK	16-L3-2RK	26-L3-8RK	26-L3-2RK
				L ●	16-L3-8LK	16-L3-2LK	26-L3-8LK	26-L3-2LK
L4	-17°	0°	3.0	U ●●	16-L4-8U	16-L4-2U	26-L4-8U	26-L4-2U
L4 w/hook	-17°	0°	3.0	R ●	16-L4-8RK	16-L4-2RK	26-L4-8RK	26-L4-2RK
				L ●	16-L4-8LK	16-L4-2LK	26-L4-8LK	26-L4-2LK
L5	-22°	0°	3.0	U ●●	16-L5-8U	16-L5-2U	26-L5-8U	26-L5-2U
				R ●	16-L5-8RK	16-L5-2RK	26-L5-8RK	26-L5-2RK
L5 w/hook	-22°	0°	3.0	L ●	16-L5-8LK	16-L5-2LK	26-L5-8LK	26-L5-2LK
10 pcs / pack								



Kit Roth - Pad-Base

UPPER / LOWER 5-5	.018	.022
U/L 3 w/hook	16K-3-18-01	16K-3-22-01
U/L 3/4/5 w/hook	16K-345-22-01	16K-345-22-01
20 pcs / pack - 1 case		

Kit Roth - Mesh-Base

UPPER / LOWER 5-5	.018	.022
U/L 3 w/hook	26K-3-18-01	26K-3-22-01
U/L 3/4/5 w/hook	26K-345-22-01	26K-345-22-01
20 pcs / pack - 1 case		

■ Merce disponibile / Goods available

■ Merce a richiesta / Goods on request

Attacchi Elysium / Elysium Brackets - Low Friction

MBT

					Pad-Base		Mesh-Base	
UPPER	TORQUE	ANGULATION	Width (MM)		.018	.022	.018	.022
U1	17°	4°	3.9	R ● L ●	18-U1-8R 18-U1-8L	18-U1-2R 18-U1-2L	28-U1-8R 28-U1-8L	28-U1-2R 28-U1-2L
U2	10°	8°	3.3	R ○ L ○	18-U2-8R 18-U2-8L	18-U2-2R 18-U2-2L	28-U2-8R 28-U2-8L	28-U2-2R 28-U2-2L
U3 w/hook	-7°	8°	3.3	R ● L ●	18-U3-8RK 18-U3-8LK	18-U3-2RK 18-U3-2LK	28-U3-8RK 28-U3-8LK	28-U3-2RK 28-U3-2LK
U3 w/hook	0°	8°	3.3	R ● L ●	18-U3-8RK0 18-U3-8LK0	18-U3-2RK0 18-U3-2LK0	28-U3-8RK0 28-U3-8LK0	28-U3-2RK0 28-U3-2LK0
U4-U5	-7°	0°	3.5	U ●●	18-U4-8U	18-U4-2U	28-U4-8U	28-U4-2U
U4-U5 w/hook	-7°	0°	3.0	R ● L ●	18-U4-8RK 18-U4-8LK	18-U4-2RK 18-U4-2LK	28-U4-8RK 28-U4-8LK	28-U4-2RK 28-U4-2LK
LOWER								
L1-L2	-6°	0°	2.6	U ●●	18-L1-8U	18-L1-2U	28-L1-8U	28-L1-2U
L3 w/hook	-6°	3°	3.5	R ● L ●	18-L3-8RK 18-L3-8LK	18-L3-2RK 18-L3-2LK	28-L3-8RK 28-L3-8LK	28-L3-2RK 28-L3-2LK
L3 w/hook	0°	3°	3.5	R ● L ●	18-L3-8RK0 18-L3-8LK0	18-L3-2RK0 18-L3-2LK0	28-L3-8RK0 28-L3-8LK0	28-L3-2RK0 28-L3-2LK0
L4	-12°	0°	3.5	U ●●	18-L4-8U	18-L4-2U	28-L4-8U	28-L4-2U
L4 w/hook	-12°	0°	3.5	R ● L ●	18-L4-8RK 18-L4-8LK	18-L4-2RK 18-L4-2LK	28-L4-8RK 28-L4-8LK	28-L4-2RK 28-L4-2LK
L5	-17°	0°	3.5	U ●●	18-L5-8U	18-L5-2U	28-L5-8U	28-L5-2U
L5 w/hook	-17°	0°	3.5	R ● L ●	18-L5-8RK 18-L5-8LK	18-L5-2RK 18-L5-2LK	28-L5-8RK 28-L5-8LK	28-L5-2RK 28-L5-2LK
10 pcs / pack								



Pad - Base

Il Design avanzato dell'Anchor-Lock Pad è caratterizzato da minuscoli piloni che fungono da robuste ancore incorporate nel composito.

- Rifinitura EDM sui 5 lati del pilone per massimizzare la ritenzione dell'attacco;
- I piloni sono progettati per formare un angolo acuto relativo al torque.

The technologically advanced design Anchor-Lock Pad base features miniature pylons that function like sturdy anchors embedded firmly into the adhesive.

- EDM finish on all 5 pylon surface to maximize brackets retention.
- Pylons are designed at an acute angle relative to the torque.



Mesh - Base

Una tradizionale rete intrecciata, fusa alla basetta, per fornire un'adesione sicura e un ottimo legame con l'adesivo.

A traditional woven mesh fused to the base provides secure bonding.

Kit MBT - Pad-Base

UPPER / LOWER	5-5	.018	.022
U/L 3 w/hook		18K-3-18-01	18K-3-22-01
U/L 3/4/5 w/hook		18K-345-18-01	18K-345-22-01
20 pcs / pack - 1 case			

Kit MBT - Mesh-Base

UPPER / LOWER	5-5	.018	.022
U/L 3 w/hook		28K-3-18-01	28K-3-22-01
U/L 3/4/5 w/hook		28K-345-18-01	28K-345-22-01
20 pcs / pack - 1 case			

Edgewise

UPPER / LOWER	TORQUE	ANGULATION	Width (MM)	.018	.022
U1	0°	0°	3.5	16-CENT-18	16-CENT-22
U2	0°	0°	3.0	16-LAT-18	16-LAT-22
U3 / L3	0°	0°	3.3	16-CUSP-18	16-CUSP-22
U4-5 / L4-5	0°	0°	3.0	16-BIC-18	16-BIC-22
L1 / L2	0°	0°	2.5	16-ANT-18	16-ANT-22
1 pc / pack					

Kit Edgewise

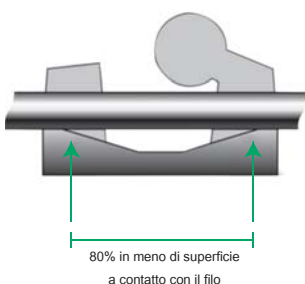
UPPER / LOWER	5-5	.018	.022
U/L 5 - 5		16K-EDGE-18-01	16K-EDGE-22-01
20 pcs / pack - 1 case			

Il sistema è specificatamente studiato per trarre il massimo vantaggio dal principio di Pareto. Eliminando le superfici di contatto superflue, si ottiene una riduzione dell'80% del contatto tra filo e slot ed il restante 20% lavora alla massima efficienza, riducendo l'attrito e permettendo un torque precoce.

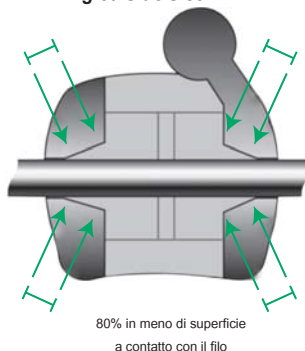
The system is specifically intended to get the best result from Pareto's principle. Eliminating the unnecessary surface, it's possible to get a 80% reduction of the contact between wire and slot.

Slot Inferiore Angolato Angled lower slots

- Low Friction -

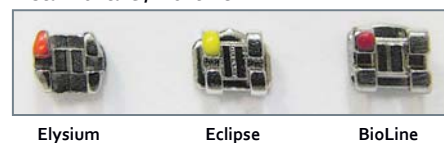


Slot Laterali Smussati Angled side slot

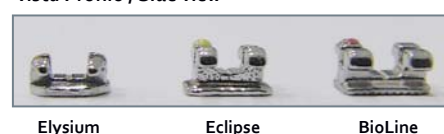


- Merce disponibile / Goods available
- Merce a richiesta / Goods on request

vista Frontale / Front view



vista Profilo / Side view



Attacchi Bright V-slot / Bright V-slot brackets

La linea Bright V-slot completa la gamma delle possibilità tecniche disponibili oggi in commercio; l'alta qualità dell'attacco permette di soddisfare a pieno tutte le esigenze funzionali e al comfort del paziente.

Bright line is a further technical possibility; high quality brackets to accomplish functional needs and patient comfort.

Roth Bright

UPPER	TORQUE	ANGULATION	.018		.022	
			RIGHT	LEFT	RIGHT	LEFT
U1	12°	5°	VSRUR118 ●	VSRUL118 ●	VSRUR122 ●	VSRUL122 ●
U2	8°	9°	VSRUR218 ●	VSRUL218 ●	VSRUR222 ●	VSRUL222 ●
U3 w/hook	0°	11°	VSRUR319 ●	VSRUL319 ●	VSRUR323 ●	VSRUL323 ●
U4,5	-7°	0°	VSRU418 ●●		VSRU422 ●●	
U4,5 w/hook	-7°	0°	VSRUR419 ●	VSRUL419 ●	VSRUR423 ●	VSRUL423 ●
LOWER						
L1/L2	0°	0°	VSRL118		VSRL122	
L3 w/hook	-11°	5°	VSRLR319 ●	VSRL419 ●	VSRLR323 ●	VSRL423 ●
L4	-17°	0°	VSRL418 ○○		VSRL422 ○○	
L4 w/hook	-17°	0°	VSRLR419 ●	VSRL419 ●	VSRLR423 ●	VSRL423 ●
L5	-22°	0°	VSRL518 ●●		VSRL522 ●●	
L5 w/hook	-22°	0°	VSRLR519 ●●	VSRL519 ●●	VSRLR523 ●●	VSRL523 ●●

10 pcs / pack

Attacco con slot verticale V-slot Brackets



THK050
50 pcs / pack

Kit Roth Bright V-slot

UPPER / LOWER	.018	.022
U/L 3 w/hook	KTVSR1935	KTVSR2335
U/L 3/4/5 w/hook	KTVSR1955	KTVSR2355

20 pcs / pack - 1 case

Kit Dual Dimension

.018 U/L 1,2	.022 U/L 3,4,5
U/L 3 w/hook	KTVSRD2335
U/L 3-4-5 w/hook	KTVSRD2355

20 pcs / pack - 1 case

Attacchi Bright Alexander / Bright Alexander brackets

Alexander

UPPER	TORQUE	ANGULATION	.018	
			RIGHT	LEFT
U1	12°	5°	RXAUR118 ●	RXAUL118 ●
U2	8°	9°	RXAUR218 ●	RXAUL218 ●
U2 w/hook			RXAUR219 ●	RXAUL219 ●
U3	-3°	10°	RXAUR318 ●	RXAUL318 ●
U3 w/hook			RXAUR319 ●	RXAUL319 ●
U4 / U5	-7°	0°	RXAUR418 ●	RXAUL418 ●
U3 w/hook			RXAUR419 ●	RXAUL419 ●
LOWER				
L1/L2	-5°	0°	RXALR118	
L1 / L2 w/hook			RXALR119	
L3	-7°	6°	RXALR318 ●	RXALL318 ●
L3 w/hook			RXALR319 ●	RXALL319 ●
L4	-11°	0°	RXALR418 ●	RXALL418 ●
L4 w/hook			RXALR419 ●	RXALL419 ●
L5	-17°	0°	RXALR518 ●●	RXALL518 ●●
L5 w/hook			RXALR519 ●●	RXALL519 ●●

10 pcs / pack



Kit Alexander

UPPER / LOWER	.018
w/hook	KTRXA1855
U/L 2 w/hook	KTRXA1925
U/L 3 w/hook	KTRXA1935
U/L 36-4-5 w/hook	KTRXA1955

20 pcs / pack - 1 case

Attacchi Eclipse Smart Active / Eclipse Smart Active Brackets

Il brackets autolegante Eclipse Smart è definito di tipo interattivo poiché possiede una clip che entra nello slot e va ad interagire con archi rettangolari. Inoltre, può essere definito passivo in quanto i fili di piccolo spessore non interagiscono con le clip.

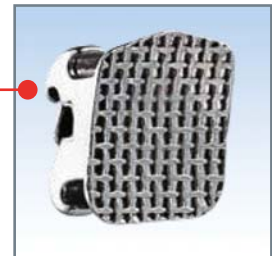
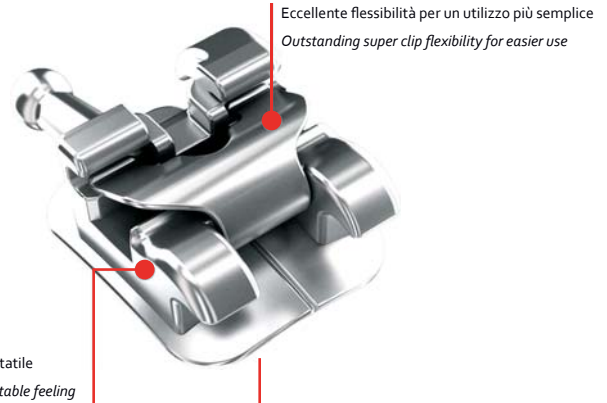
Eclipse Plus self-ligating bracket can be "interactive", as its clip enters the slot, interacting with rectangular archwires; it can also be "passive" as the smaller wires do not interact with the clip.

Clip Interattiva:

- Passive: .012 - .013 - .014 - .016 - .016 x .016 - .018 - .018 x .018

- Interactive: .016 x .022 - .020 - .020 x .020

- Active: .014 x .025 - .016 x .025 - .018 x .025 - .019 x .025 - .021 x .025



Roth				.018		.022	
UPPER	TORQUE	ANGULATION	Width (MM)	RIGHT	LEFT	RIGHT	LEFT
U1	11°	5°	2.9	103-11	103-21	113-11	113-21
U2	8°	9°	2.7	103-12	103-22	113-12	113-22
U3 w/hook	-2°	8°	2.95	103-13H	103-23H	113-13H	113-23H
U4 w/hook	-7°	0°	2.95	103-14H	103-24H	113-14H	113-24H
U5 w/hook	-7°	0°	2.95	103-15H	103-25H	113-15H	113-25H
LOWER							
L1/L2	0°	0°	2.5	103-41/42	103-31/32	113-41/42	113-31/32
L3 w/hook	-11°	7°	2.95	103-43H	103-33H	113-43H	113-33H
L4 w/hook	-17°	0°	2.95	103-44H	103-34H	113-44H	113-34H
L5 w/hook	-17°	0°	2.95	103-45H	103-35H	113-45H	113-35H
1 pc / pack							

Kit Roth

UPPER / LOWER	.018	.022
U/L 3/4/5 w/hook	103-553	113-553
20 pcs / pack - 1 case		

MBT				.018		.022	
UPPER	TORQUE	ANGULATION	Width (MM)	RIGHT	LEFT	RIGHT	LEFT
U1	17°	4°	2.9	123-11	123-21	133-11	133-21
U2	10°	8°	2.7	123-12	123-22	133-12	133-22
U3 w/hook	-0°	8°	2.95	123-13H	123-23H	133-13H	133-23H
U4 w/hook	-7°	0°	2.95	123-14H	123-24H	133-14H	133-24H
U5 w/hook	-7°	0°	2.95	123-15H	123-25H	133-15H	133-25H
LOWER							
L1/L2	-6°	0°	2.5	123-41/42	123-31/32	133-41/42	133-31/32
L3 w/hook	0°	3°	2.95	123-43H	123-33H	133-43H	133-33H
L4 w/hook	-12°	0°	2.95	123-44H	123-34H	133-44H	133-34H
L5 w/hook	-12°	0°	2.95	123-45H	123-35H	133-45H	133-35H
1 pc / pack							

Kit MBT

UPPER / LOWER	.018	.022
U/L 3/4/5 w/hook	123-553	133-553
20 pcs / pack - 1 case		



Tool for self-ligating brackets

Tool for self-ligating brackets	110-000
1 pc / pack	

■ Merce disponibile / Goods available

■ Merce a richiesta / Goods on request

Attacchi Eclipse Smart Passive / Eclipse Smart Passive Brackets

Gli attacchi Eclipse Self Ligating autoleganti, realizzati con tecnologia MIM (Metal Injection Moulding), sono dotati di una chiusura scorrevole sullo slot che permette di posizionare l'arco in maniera pratica e veloce. Presentano una basetta romboidale per facilitare il posizionamento e sono disponibili nelle prescrizioni Roth - MBT 018 e 022.

Eclipse Self Ligating Brackets are endowed of a special clip that allows easy and fast archwires placement, avoiding the frictions usually generated between arch and ligatures ties; it reduces plaque accumulation. The brackets are realized with MIM (metal injection moulding) technology and nickel free steel. They have a rhomboid base to enable easy placement. Roth / MBT - .018 and .022 slots available.

Roth

UPPER	TORQUE	ANGULATION	Width (MM)	.018		.022	
				RIGHT	LEFT	RIGHT	LEFT
U1	12°	5°	3.0	211-11	211-21	221-11	221-21
U2	8°	9°	2.8	211-12	211-22	221-12	221-22
U3 w/hook	-2°	13°	3.0	211-13HK	211-23HK	221-13HK	221-23HK
U4 / U5	-7°	0°	3.0	211-14		221-14HK	
U4 w/hook	-7°	0°	3.0	211-14HK	211-24HK	221-14HK	221-24HK
U5 w/hook	-7°	0°	3.0	211-15HK	211-25HK	221-15HK	221-25HK
LOWER							
L1/L2	-1°	2°	2.6	211-31		221-31	
L3 w/hook	-11°	7°	3.0	211-43HK	211-33HK	221-43HK	221-33HK
L4	-17°	-1°	3.0	211-44		221-44HK	
L4 w/hook	-17°	-1°	3.0	211-44HK	211-34HK	221-44HK	221-34HK
L5	-22°	-1°	3.0	211-45		221-45HK	
L5 w/hook	-22°	-1°	3.0	211-45HK	211-35HK	221-45HK	221-35HK

1 pc / pack

Kit ROTH

UPPER / LOWER	.018	.022
U/L 3 w/hook	211-00HK	221-00HK
U/L 3/4/5 w/hook	211-00BHK	221-00BHK

20 pcs / pack - 1 case

MBT

UPPER	TORQUE	ANGULATION	.018		.022	
			RIGHT	LEFT	RIGHT	LEFT
U1	17°	4°	311-11	311-21	321-11	321-21
U2	10°	8°	311-12	311-22	321-12	321-22
U3 w/hook	-7°	8°	311-13HK	311-23HK	321-13HK	321-23HK
U4 / U5	-7°	0°	311-14		321-14HK	
U4 w/hook	-7°	0°	311-14HK	311-24HK	321-14HK	321-24HK
U5 w/hook	-7°	0°	311-15HK	311-25HK	321-15HK	321-25HK
LOWER						
L1/L2	-6°	0°	311-31		321-31	
L3 w/hook	-6°	3°	311-43HK	311-33HK	321-43HK	321-33HK
L4	-12°	2°	311-44		321-44HK	
L4 w/hook	-12°	2°	311-44HK	311-34HK	321-44HK	321-34HK
L5	-17°	2°	311-45		321-45HK	
L5 w/hook	-17°	2°	311-45HK	311-35HK	321-45HK	321-35HK

1 pc / pack

Kit MBT

UPPER / LOWER	.018	.022
U/L 3 w/hook	311-00HK	321-00HK
U/L 3/4/5 w/hook	311-00BHK	321-00BHK

20 pcs / pack - 1 case



Attacchi Eclipse Smart Passive



■ Merce disponibile / Goods available

■ Merce a richiesta / Goods on request

Attacchi EasyClip Plus / EasyClip Plus Brackets

Gli attacchi EasyClip Plus, sono progettati da ortodontisti per un controllo totale ed il massimo comfort per il paziente. Design "gemellare" a basso profilo e forma romboidale per un posizionamento semplice. Il design del bracket permette una legatura passiva che riduce la frizione e migliora la meccanica di scorrimento. Non necessitano di strumenti speciali.

EasyClip Plus brackets are designed to get the highest comfort and the total control. "Twin" low profile design, with a rhomboid shape, to achieve an easy placement its design allows a passive ligature, which reduces friction and improves sliding. No special instrument is needed.

Damon				.022	
UPPER	TORQUE	ANGULATION	Width (MM)	RIGHT	LEFT
U1	15°	5°	.114"	300-72-1190	300-72-2190
U2	6°	9°	.110"	300-72-1290	300-72-2290
U3	7°	5°	.110"	300-72-1390	300-72-2390
U3 w/hook	7°	5°	.110"	300-72-1391	300-72-2391
U4 / U5	-11°	2°	.114"	300-72-1990	300-72-2990
U4 / U5 w/hook	-11°	2°	.114"	300-72-1991	300-72-2991
U4 / U5 w/hook & offset	-11°	2°	.114"	300-72-1930	300-72-2930
LOWER					
L1	-3°	2°	.102"	300-72-3190	300-72-4190
L2	-3°	4°	.102"	300-72-3290	300-72-4290
L3	7°	5°	.114"	300-72-3390	300-72-4390
L3 w/hook	7°	5°	.114"	300-72-3391	300-72-4391
L4 w/hook	-12°	4°	.114"	300-72-3492	300-72-4492
L4 w/hook & offset	-12°	4°	.114"	300-72-3493	300-72-4493
L5 w/offset	-17°	4°	.114"	300-72-3592	300-72-4592
L5 w/hook & offset	-17°	4°	.114"	300-72-3593	300-72-4593
1 pc / pack					



Kit Damon

UPPER / LOWER	.022
U/L 3/4/5 w/hook	6322-1345
20 pcs / pack - 1 case	

* Damon è un marchio registrato della Ormco Corporation del Dr. Dwight Damon.

Attacchi Eclipse Lingual / Eclipse Lingual Brackets

I brackets Eclipse Lingual, sono studiati per fornire al paziente il massimo comfort, rendendo il trattamento molto più delicato e sopportabile. Le caratteristiche principali sono: dimensioni ridotte, profilo più basso, superfici arrotondate per il massimo comfort del paziente. Mantiene l'igiene orale.

Eclipse lingual brackets are designed to offer the best comfort to the patient, making the treatment softer and tolerable. Their main characteristics are: - Small dimensions - Low profile - Rounded surface - Hygienic.

Kit Lingual brackets

UPPER / LOWER	LB-222-00
20 pcs / pack - 1 case	



■ Merce disponibile / Goods available

■ Merce a richiesta / Goods on request



Made in Italy

Attacchi Metallici / Metal Brackets



Made in Italy

TRAZIONI DI SICUREZZA

Disponibili in 3 tipologie di forze / Available in 3 types of forces
Light 450gr - Medium 600gr - Heavy 750gr

